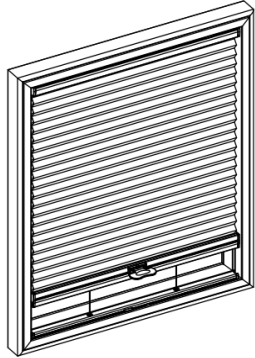


65101-11793-D

Read the instruction before operating your shade

**Installation & Maintenance Instructions
Honeycomb Shade
Decoflex™ for Skylights**



Getting Started

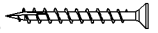


Remove the shade & frame from the package. Save the packaging until the shade & frame are installed and working to your satisfaction.

Recommended Tools

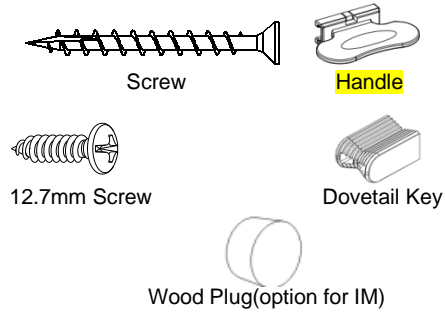
- Power drill and drill bit
- Measuring tape
- Screwdriver
- Level
- Pencil



You will need to use the following fasteners for your particular mounting surfaces:

Surface	Fastener
Wood	Screws 
Drywall/Plaster	Wall Anchors, Expansion Bolts (Not Provide) 
Metal	Sheet Metal Screws (Not Provide) 

Check Hardware

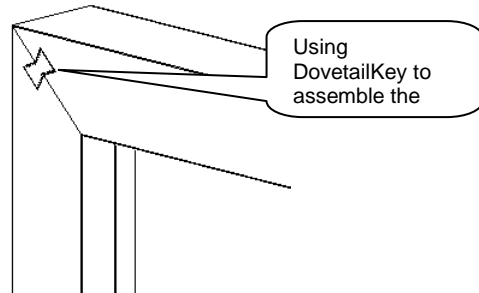
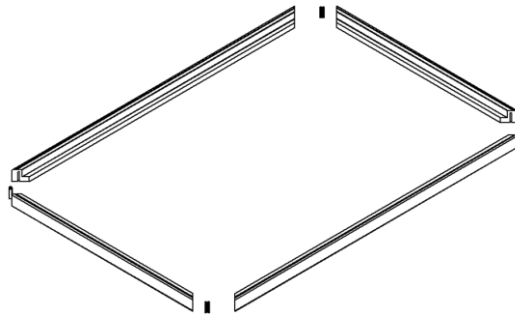


Step 1. Assemble the Frame

Assemble the frame together with Dovetail Key at the back of the frame.

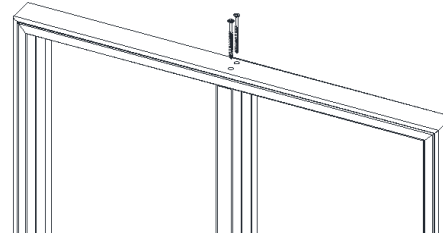
Frame with T-post, assemble the frames together first, and then connect the T-post with frame before installing the frame on the window opening.

4 sided Frame:

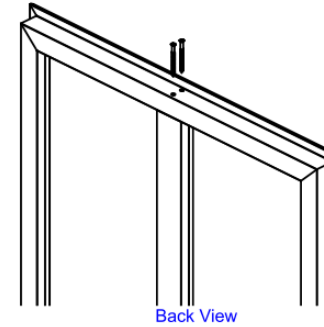
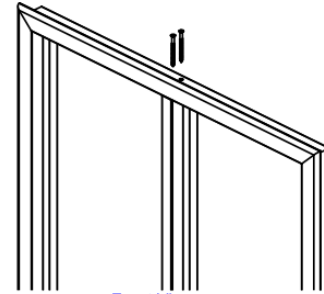


Frame with T-Post (optional for all Frames)

L Frame with T-Post



Z Frame with T-Post

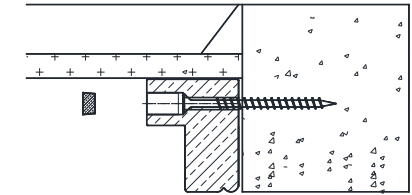
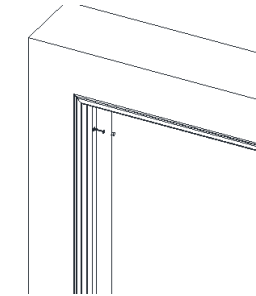


Inside Mount

Place the frame in desired position, and fix the left-side frame and right-side frame with one screw respectively.

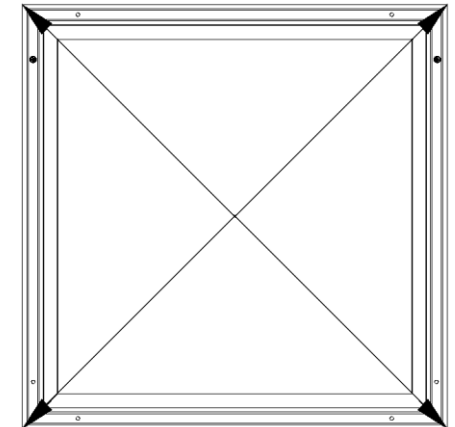
Then adjust the frame to make sure the frame is square and diagonal line is in the same length.

Secure the rest screws after adjusting the frame to square.



Note: For IM, pre-drill frame for easy installation is optional. Mounting screws & wood plugs will be supplied when pre-drill option is selected.

Diagonal line for the frame should be in the same length

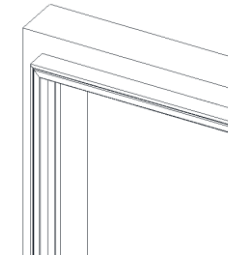


Step 2. Install the Frame

Outside Mount

Place the frame in desired position, and fix the left-side frame and right-side frame with one screw respectively.

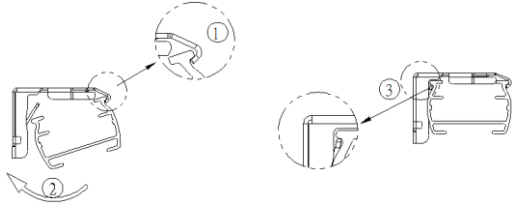
And then adjust the frame to make sure the frame is square and the diagonal line is in the same length. Secure the rest screws after adjusting the frame to square.



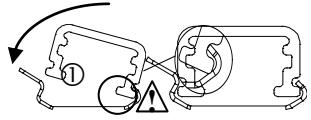
Step3. Install the Shade

- Position the shade so that the front is facing you.
- Insert the rail with an angle facing the window; hook from the bracket front and push upward to snap it in.

For proper installation, start with attaching the head rail to the bracket



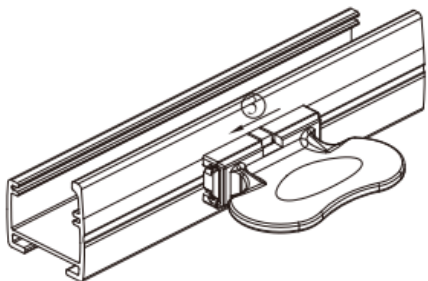
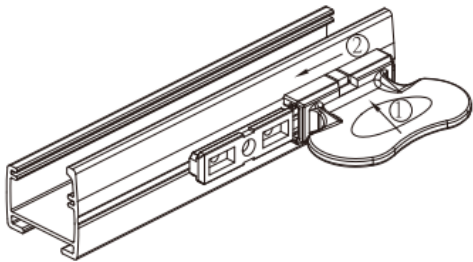
(Headrail)



(Bottom Rail)

• Handle Installation

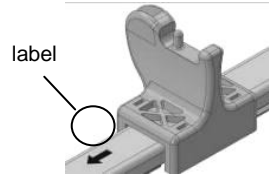
Attach the handle to the handle support pre-attached on the rail then slide against the handle support to the left until the handle can't move anymore.



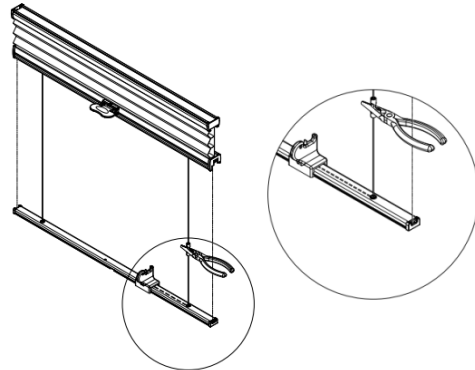
• Adjust the Steel Wire

After the installation, tighten the steel wire by sliding the regulator towards the direction as shown on label in Drawing 1. For easier tightening the steel wire, it is suggested to use a pair of pliers to pull the steel wire towards the bottom rail, and then adjust the regulator pin to tighten the steel wire.

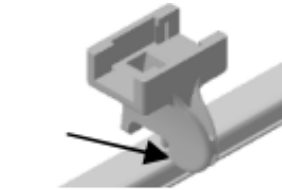
Note: Put a cloth between the pliers and steel wire in case the steel wire breaks.



label
Drawing 1



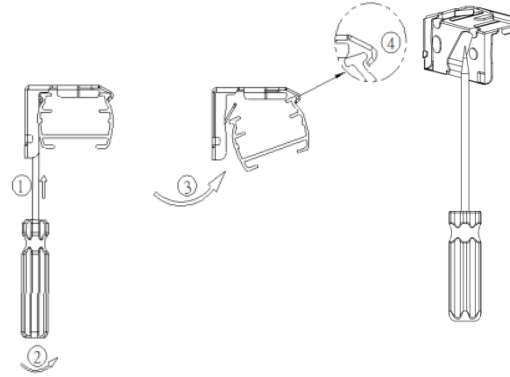
To loosen the steel wire, place the regulator pin on the bottom rail and press down as shown in Drawing 2



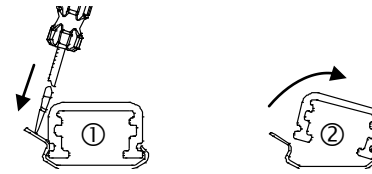
Drawing 2

Remove the Shade

Fully raise the shade. Insert screwdriver into the gap between the back of the rail and the bracket. Gently maneuver the screwdriver toward yourself to pry the bracket.



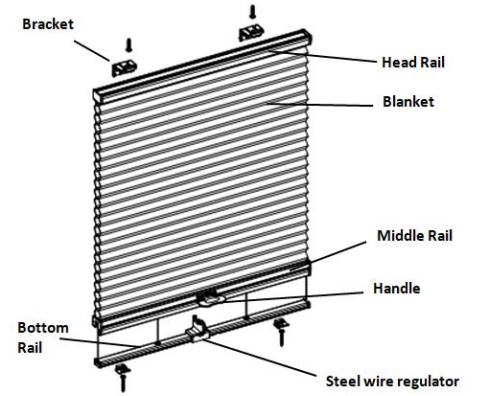
(Headrail)



(Bottom Rail)

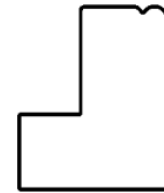
Cleaning

Routine cleaning will help maintain the beauty of your shade. The shade can be cleaned by using a soft brush, vacuumed with a low suction hand-held vacuum, cleaned ultrasonically (specify that a mild solution must be used and that the head rail should never be immersed in liquid), or dampen a clean cloth with a warm water and mild detergent solution to dab the spot until it's gone (do not rub!).



Frame: the installation way is same.

Beaded L Frame



38mm Bullnose Z frame 50mm Bullnose Z Frame

